



Model Shown: ARBS-1600-50

ARBS Automatic Redundant Battery Selector

The La Marche ARBS is a solid state device that controls redundant power in engine starting switchgear applications. Our product is designed with high powered diodes to select the higher voltage of the two isolated DC power sources. The ARBS selects power from the best available battery while isolating the alternate battery bank. The special heat sink diode assembly is manufactured to handle high output requirements with safety margin to spare.

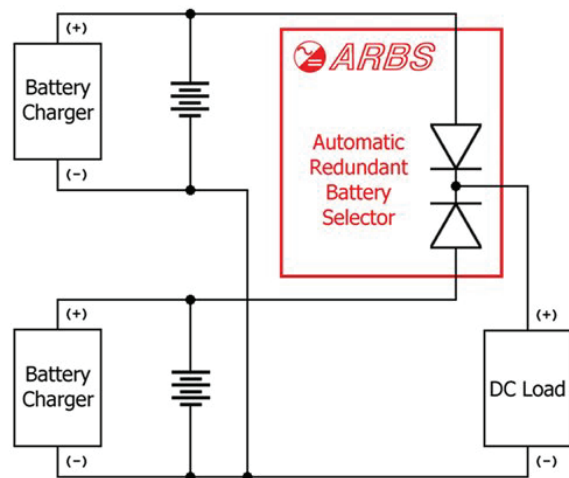
This Automatic Redundant Battery Selector is also known in the market as Best Battery Selector, Diode Isolator, and Automatic Battery Selector.

The diodes in the ARBS allows the current to flow from the DC power source to the load. The ARBS is sized based on the maximum load inrush current

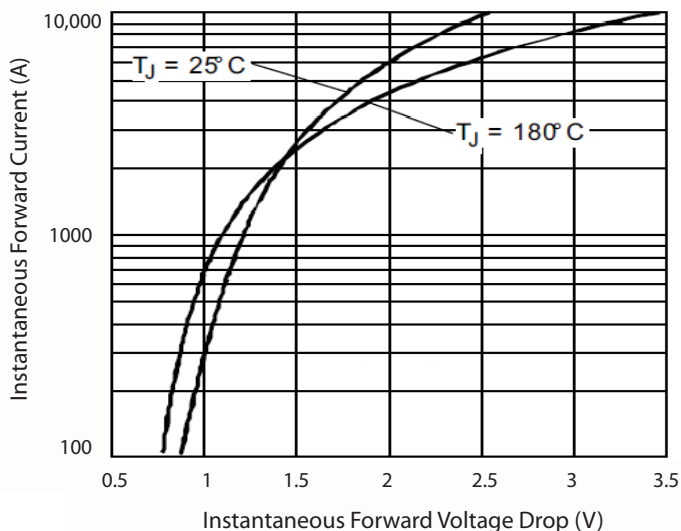
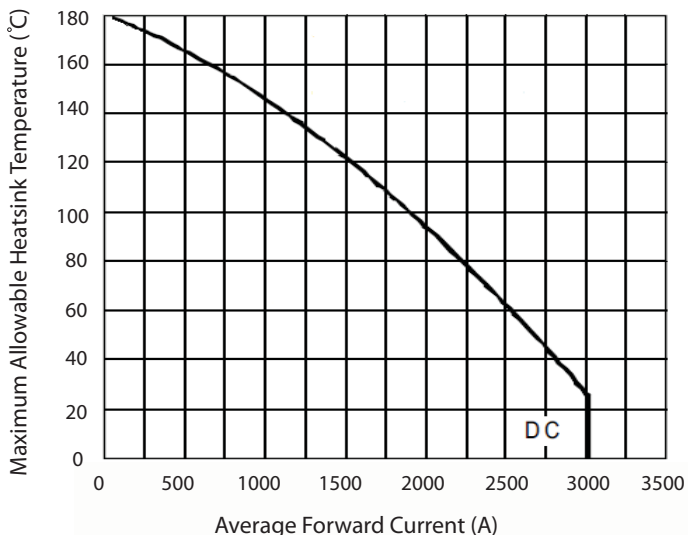
Model Number	Nominal Voltage	Rated DC Inrush Current per NFPA 110	Continuous DC Rated Current	Dimensions W x D x H	Approx. Weight (lbs)	Case No.	Mounting
ARBS-500-50	(max: 300VDC)	500A	50A @ +50C	12.8" x 10" x 17.12" 326 x 254 x 435mm	36	2	Wall/Floor
ARBS-500-100	(max: 300VDC)	500A	100A @ +50C	12.8" x 10" x 17.12" 326 x 254 x 435mm	57	2	Wall/Floor
ARBS-500-200	(max: 300VDC)	500A	200A @ +50C	CF	CF	7	CF
ARBS-1000-50	(max: 300VDC)	1000A	50A @ +50C	12.8" x 10" x 17.12" 326 x 254 x 435mm	36	2	Wall/Floor
ARBS-1000-100	(max: 300VDC)	1000A	100A @ +50C	12.8" x 10" x 17.12" 326 x 254 x 435mm	57	2	Wall/Floor
ARBS-1000-200	(max: 300VDC)	1000A	200A @ +50C	CF	CF	7	CF
ARBS-1600-50	(max: 300VDC)	1600A	50A @ +50C	14.25" x 10.62" x 19.87" 362 x 270 x 505mm	46	7	Wall/Floor
ARBS-2600-85	(max: 300VDC)	2600A	85A @ +50C	25.58" x 13.93" x 28" 650 x 354 x 711mm	115	4	Wall/Floor/Rack
ARBS-3000-85	(max: 300VDC)	3000A	85A @ +50C	25.58" x 13.93" x 28" 650 x 354 x 711mm	115	4	Wall/Floor/Rack
ARBS-4800-150	(max: 300VDC)	4800A	150 @ +50C	25.58" x 13.93" x 28" 650 x 354 x 711mm	124	4	Wall/Floor/Rack

Standard Features

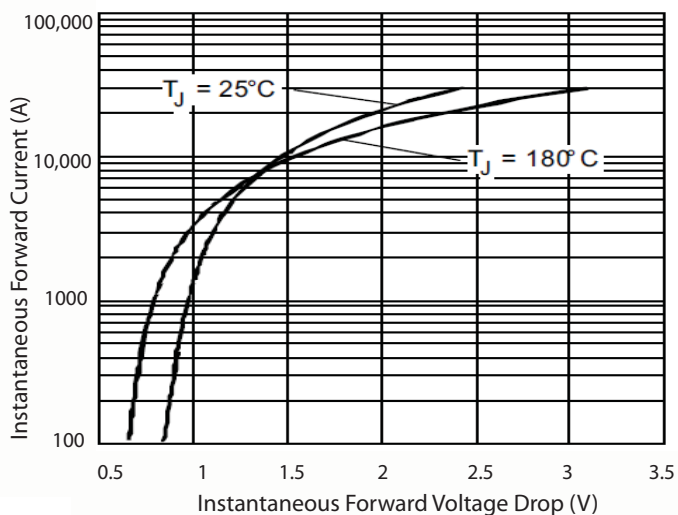
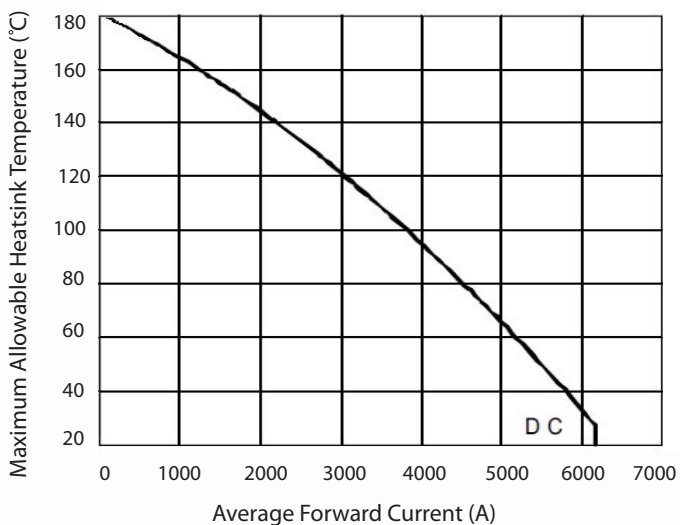
- Fully Automatic
- Convection Cooled
- Isolation From One Battery to Another
- Diodes Designed to Carry 100% of the Starter/Load
- Surge Protection
- Two Diodes, Common Cathode
- Finish - ANSI - 61 gray paint
- 1 Year Warranty



ARBS-1600



ARBS-3000



ARBS-4800

