



LaMARCHÉ®

ISO 9001 CERTIFIED

A63 DC-DC CONVERTER SYSTEMS

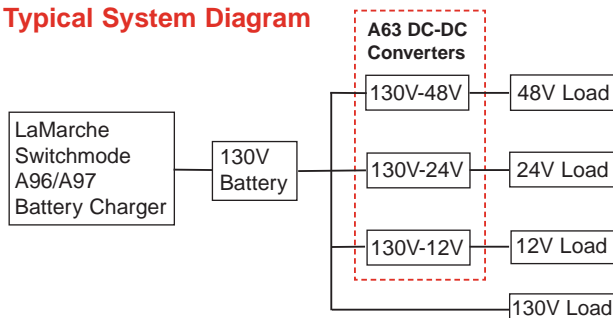


19" and/or 23" PC63 Cage shown above with (2) A63 Converters and a TPCDB1 Distribution Module

A63 DC-DC CONVERTER SYSTEMS

The unique design of the LaMarche A63 Series DC-DC Converters will allow you to utilize your 48V, 24V, and/or 12V equipment at a site where 130V batteries are installed. This will save battery, charger, and installation costs as well as reducing maintenance time and optimizing space. The A63 is a compact self contained DC-DC Converter that provides the Modular Power that today's utility substation, process control and telecommunications applications require. The A63 is the building block of these reliable systems using advanced switching technology. Its filtered output provides the clean power required for sensitive loads.

Typical System Diagram



The A63 DC output is available in 48V (15 amps) and 24V (30 amps) rated at 750W, or 12V (30 amps) modules rated at 375W. The converter modules are hot-swappable plug-in type. Installation or replacement is swift, simple, and achieved without affecting the integrity of the system.

Its versatile design allows the DC output to be wired as a single connection for all converters or for each pair of converters per cage. This allows for custom field installations and gives greater system flexibility to suit the customer needs and preferences.

A63 Converter Systems are factory configured with one to four Modules in a single cage. Distribution Modules consisting of either GMT Fuses (TPCD) or Breakers (TPCDB1) can share a cage with the converters to form a complete Power System.

Rely on LaMarche quality, reliability and performance to power your present and future system needs.

Standard Features

- High Frequency Switchmode Circuitry Provides High Power Density
- Hot Plug-In Feature Provides Easy Replacement Without Disturbing System Operation
- 48VDC and 24VDC Versions—750 Watts Output Power
- 12VDC Version—375 Watts Output Power
- 19" and 23" Rack Mounting (using PC63 cages)
- Nominal Input Voltage of 130VDC, Range from 105-150VDC
- DC Input Breaker Mounted on Cage for Each Converter Module (wired in positive leg)
- Output Voltage Adjustment Potentiometer
- Test Points for Measuring Output Current and Voltage Using a Precision Multi-Meter
- Current Limiting Circuitry of 105% Maximum (factory set)
- Filtered/Battery Eliminator Design—less than 150mVp-p, 32db_{rn} "C" Message Weighted
- 82% Efficiency within 50 to 100% of Rated Load
- Load Sharing Circuitry (10% of rated load)
- Soft Walk-In Circuit
- Over Temperature and Voltage Protection
- Converter Failure Alarm with (1) Set of Form "C" Contacts with Light (Alarm will Initiate for either Low Voltage, High Voltage Shutdown, Low DC Current, Converter Failure or DC Breaker Tripped)
- 2-Year Limited Warranty

LaMarche Manufacturing Company
106 Bradrock Drive, Des Plaines, IL 60018-1967
Tel: 847-299-1188 Toll Free Fax: 888-232-9562
sales@lamarchemfg.com www.lamarchemfg.com

Made in USA

Electrical

DC Input Voltage Range
105-150VDC

Protection
DC Breaker provided on cage for each unit

DC Output

Adjustable Output Voltage Range

48 to 58VDC on 48V models
24 to 29VDC on 24V models
12 to 14.5VDC on 12V models

Power

750W per 48VDC and 24VDC module,
maximum 3000 Watts per cage
375W per 12VDC module, maximum 1500
Watts per cage

Voltage Regulation

± 0.6% Total DC Voltage Regulation
(Measured at converter side of blocking diode)

Current Limit

105% of rated output maximum (factory set)

Load Sharing

Load Sharing Circuitry (10% of rated load)

Protection

Over Voltage, Over Temperature

Efficiency

82% within 50-100% of rated load

Ripple and Noise

Less than 150mV peak to peak, 32db_{rn}
"C" message weighted

Test Points

For output current and output voltage using
a precision digital voltmeter

Environmental

FCC Approved Part 15, Subpart B, Class A
IEC-555-2 Compliant

Operating Temperature:

0 to 50° C (32 to 122° F)

Storage Temperature:

-40 to 85° C (-40 to 185° F)

Relative Humidity:

0 to 95% (non-condensing)

Altitude:

0 to 3,000 meters (10,000 ft)

A63 Modules

Model Number	DC Output Amps	DC Output Volts	DC Input Voltage Range	Typical DC Input Current Draw @ 100% Load (Amps)
A63-15-48V-130V	15	48	105-150	9
A63-30-24V-130V	30	24	105-150	9
A63-30-12V-130V	30	12	105-150	5

PC63 Cages

Model Number	Description	No of Available Bays	DC Output Amps	DC Output Volts	Rack Mounting
PC63-60-48V-130V	1-4 modules	4	60	48	19"/23"
PC63-120-24V-130V			120	24	19"/23"
PC63-120-12V-130V			120	12	19"/23"
PC63-30-48V-130V	1-2 modules with TPCD or TPCDB1	2 +1	30	48	19"/23"
PC63-60-24V-130V			60	24	19"/23"
PC63-60-12V-130V			60	12	19"/23"

Units can be mounted flush with the rack or moved forward 5 inches (127mm).
Allow an additional 0.75 inches (19mm) for handles.

Enclosures

A63 DC-DC Converters

Dimensions

3.25"W x 11.0"D x 5.25"H
(83x279x133 mm)

Weight

7 lbs each (3.2 kgs)

Mounting

19"/23" Rack Mount PC63 Cages

PC63 Cages

Dimensions for 19" or 23" Rack

18.25"W x 15.29"D x 8.75"H
(464x388x222 mm)

Weight

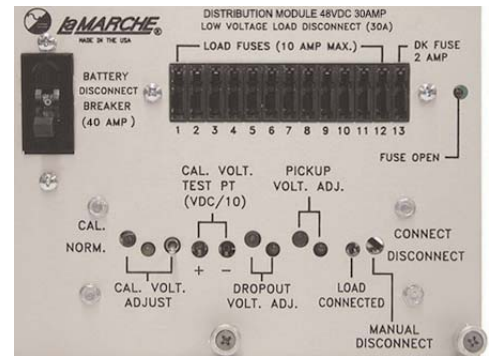
26 lbs

Mounting

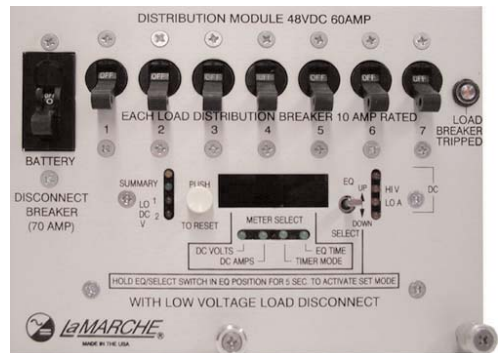
PC63= 5 RU's

Agency Approvals

U.L. Recognized Component



TPCD Distribution Module - GMT Fuses (For further details on this product refer to the TPM Systems Data Sheet)



TPCDB1 Distribution Module - Breakers (For further details on this product refer to the TPM Systems Data Sheet)

Specifications subject to change without notice

P25-DSA63-1
ECN 15678
12-025



LaMarche Manufacturing Company
106 Bradrock Drive, Des Plaines, IL 60018-1967
Tel: 847-299-1188 Toll Free Fax: 888-232-9562
sales@lamarchemfg.com www.lamarchemfg.com