



# LaMARCHE®

ISO 9001 CERTIFIED

## A48/A48B

### CENTRIFUGAL FIRE PUMP BATTERY CHARGERS USED ON SPRINKLER SYSTEMS



Model A48 shown above

## FOR CHARGING BATTERIES ON INTERNAL COMBUSTION ENGINES DRIVING CENTRIFUGAL FIRE PUMPS USED ON SPRINKLER SYSTEMS

The LaMarche A48 and A48B (Base Plate Version) Battery Chargers are specifically designed for maintaining and recharging the dual-battery starting system used on engine driven centrifugal fire pumps for sprinkler systems. Both the A48 and A48B models are available in 12 or 24 Volt DC output for either positive or negative ground starting systems. The Battery Chargers comply with the standard of the National Fire Protection Association (NFPA No. 20).

The controlled magnetic amplifier technology provides the highest reliability that is necessary for the continued operation of emergency standby equipment and eliminates most starting problems by maintaining batteries at full charge, ensuring optimum performance and maximum life.

The A48/A48B is a completely automatic, solid state, constant voltage Battery Charger built to carry continuous and intermittent loads up to 80% of its maximum rated output capacity. It automatically senses the battery and load conditions and delivers the necessary amount of charge.

The A48/A48B Battery Chargers are equipped with a built-in charge divider circuit to isolate and charge two separate sets of batteries of the same nominal DC Voltage either independently or simultaneously. The operation is completely automatic—a voltage sensing relay is provided to

### Standard Features

- Magnetic Amplifier Circuitry Provides Increased Longevity and Worry-free Operation
- Automatic AC Input Voltage Compensation  $\pm 10\%$
- Automatic Surge Suppression
- AC Input and DC Output Fusing Protects Battery and Charger
- Automatic Float/High Rate Mode Switching
- Float/High Rate Lights (A48 model only)
- Charger Failure Alarm Relay with (1) form "C" Contact
- Automatic DC Voltage Regulation
- DC Current Limiting Circuitry (typically less than 125%) Eliminates the Need for Cranking Disconnect Relay
- 5% Accuracy Analog DC Ammeter & DC Voltmeter (A48 model only)
- Charger Design Prevents Battery from Discharging if AC Line Fails
- Complete Isolation of the AC Line from the DC Charging Circuit
- Environmental:
  - Operating Temperature: 0 to 50°C (32 to 122°F)
  - Storage Temperature: -40 to 85°C (-40 to 185°F)
  - Relative Humidity: 0 to 95% Non-condensing
- AC Input Voltages of 120, 208 or 240, Single Phase, 60Hz
- NEMA 1 Enclosure ANSI 61 Gray Baked Enamel Paint (A48 model only)
- All A48 and A48B models are UL 1236 and CSA Listed
- **Industry's unparalleled 10-year Warranty**

automatically transfer the output of the Battery Charger to the high rate charge mode, after engine cranking or following a power failure. This will bring the batteries to a fully charged state within 24 hours. Once the batteries are fully charged, the relay will automatically transfer the charge rate back to the Float rate to prevent overcharging and protect the batteries.

The A48/A48B Battery Chargers are designed and built for use on Flooded Lead-Acid or Nickel-Cadmium Batteries and are not suitable to charge Sealed Valve-Regulated Batteries since these require output filtering such as a Power Supply (*see our model A12B for this type of application*).

The Controlled Magnetic Amplifier circuitry provides years of trouble-free operation—our confidence in the reliability of our A48/A48B is reflected by our unparalleled and Industry leading 10-year Warranty. The A48/A48B assures the quality, reliability and performance you have come to expect from LaMarche.

### LaMarche Manufacturing Company

106 Bradrock Drive, Des Plaines, IL 60018-1967  
Tel: 847-299-1188 Toll Free Fax: 1-888-232-9562  
sales@lamarchemfg.com www.lamarchemfg.com

Made in USA

# A48 / A48B

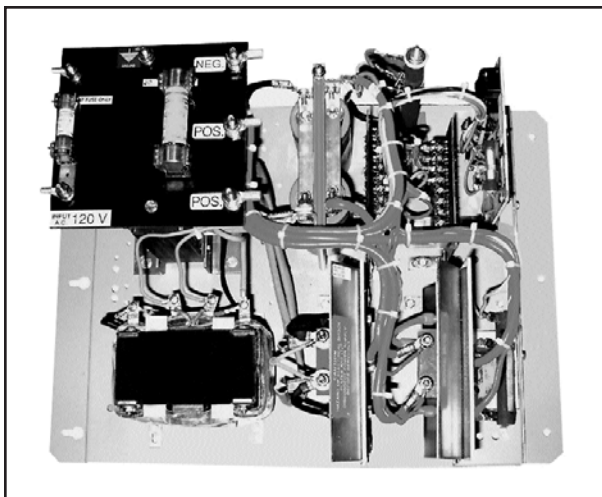
## CENTRIFUGAL FIRE PUMP BATTERY CHARGERS USED ON SPRINKLER SYSTEMS

### A48 and A48B Models

Model Number	System Ground	DC Output				AC Input Current Draw @ 100% Load (Amps)*			Case No	Overall Dimensions W x D x H	Cable Entry (when facing unit)		Mounting	Shipping Weight (Approx.)	
		Amps	Volts	Battery Cell Range (choose only one)	Fuse Size	A 120	D 208	B 240			AC input	DC output		lbs	kgs
A48-20-12VP	Positive	20	12V	6L 9 or 10 NC	50A	7.1	4.1	3.5	7	14.250 x 10.625 x 19.875" 362 x 270 x 505 mm	Right	Left	Wall / Floor	75	34
A48-20-12VN	Negative													75	34
A48-20-24VP	Positive	20	24V	12L or 20 NC	50A	15	8.1	7.1	7	14.250 x 10.625 x 19.875" 362 x 270 x 505 mm	Right	Left	Wall / Floor	95	43
A48-20-24VN	Negative													95	43
A48B-20-12VP	Positive	20	12V	6L 9 or 10 NC	50A	7.1	4.1	3.5	7B	19.875 x 9.000 x 14.250" 505 x 229 x 362 mm	N/A	N/A	Base Plate	55	25
A48B-20-12VN	Negative													55	25
A48B-20-24VP	Positive	20	24V	12L or 20 NC	50A	15	8.1	7.1	7B	19.875 x 9.000 x 14.250" 505 x 229 x 362 mm	N/A	N/A	Base Plate	75	34
A48B-20-24VN	Negative													75	34

\*AC Current Draws based @ 100% load and standard battery cells of 6L(12V) and 12L(24V)  
All above models designed for optimal performance at 60Hz. They will operate at 50Hz with reduced performance. Consult factory for units designed specifically at 50Hz.  
Must specify only one battery type and number of cells. Please consult factory for other available cell ranges if desired range not shown.  
Maximum Current Draw is typically 125% of ratings shown.  
Other Sizes Available - Contact Factory for further information

### Base Plate Photo

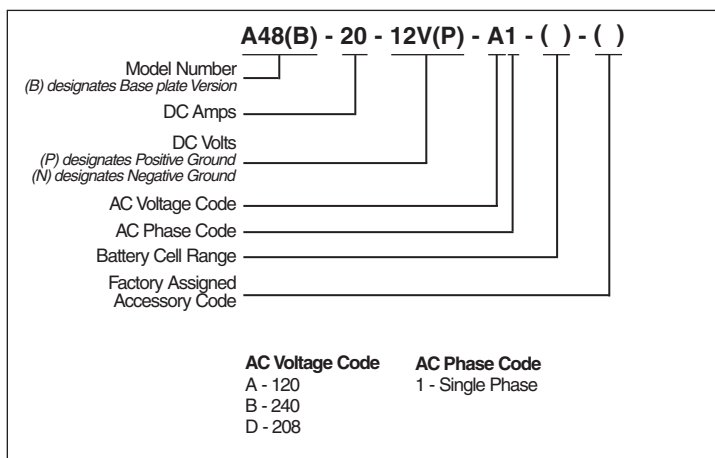


### Ordering Information

When ordering, please specify:

- LaMarche Model Number A48 or A48B (Base Plate)
- Input Voltage of 120, 208 or 240 VAC/Single Phase/60Hz
- Number and Type of Battery Cells
- A.H. Capacity of Batteries
- Intermittent DC Loads and Duration
- Continuous DC Load
- Allowable Recharge Time from Full Discharge (where applicable)

### Model Number Nomenclature



Specifications subject to change without notice

P25-DSA48\_A48B-1  
ECN: 18250  
04-09



106 Bradrock Drive, Des Plaines, IL 60018-1967  
Tel: 847-299-1188 Toll Free Fax: 1-888-232-9562  
sales@lamarchemfg.com www.lamarchemfg.com